

Completing the LCDBG Activity Beneficiary Form

Once you have found a suitable LOGRECNO area for a project from the HUD LOW Mod on Sheet 1

| LOGRECNO | PLACENAME | TRACT | BLKGRP | LOWMOD | LOWMODUN | LOWMODPCT |
|-----------|--------------------------|--------|--------|--------|----------|-----------|
| | RAPIDES Parish | | | | | |
| | RED 80 - 100% LM | | | | | |
| | BLUE 51- 80% LM | | | | | |
| | BLACK less than 51.0% | | | | | |
| | GREY Uninhabited/ No LM% | | | N | | AR |
| LA0017484 | McNary village | 013500 | 2 | 7 | 20 | 35.0 |
| LA0017513 | | 013500 | 2 | 454 | 1156 | 39.3 |
| LA0017472 | Glenmora town | 013500 | 3 | 554 | 854 | 64.9 |
| LA0017485 | McNary village | 013500 | 3 | 0 | 0 | 0.0 |
| LA0017514 | | 013500 | 3 | 55 | 83 | 66.3 |
| LA0017473 | Glenmora town | 013500 | 4 | 270 | 615 | 43.9 |
| LA0017486 | McNary village | 013500 | 4 | 0 | 0 | 0.0 |
| LA0017515 | | 013500 | 4 | 5 | 21 | 23.8 |
| LA0017467 | Forest Hill village | 013500 | 5 | 4 | 20 | 20.0 |
| LA0017474 | Glenmora town | 013500 | 5 | 27 | 69 | 39.1 |
| LA0017487 | McNary village | 013500 | 5 | 92 | 182 | 50.5 |

A suitable LOGRECNO area for a project



LOGRECNO: LA0017472

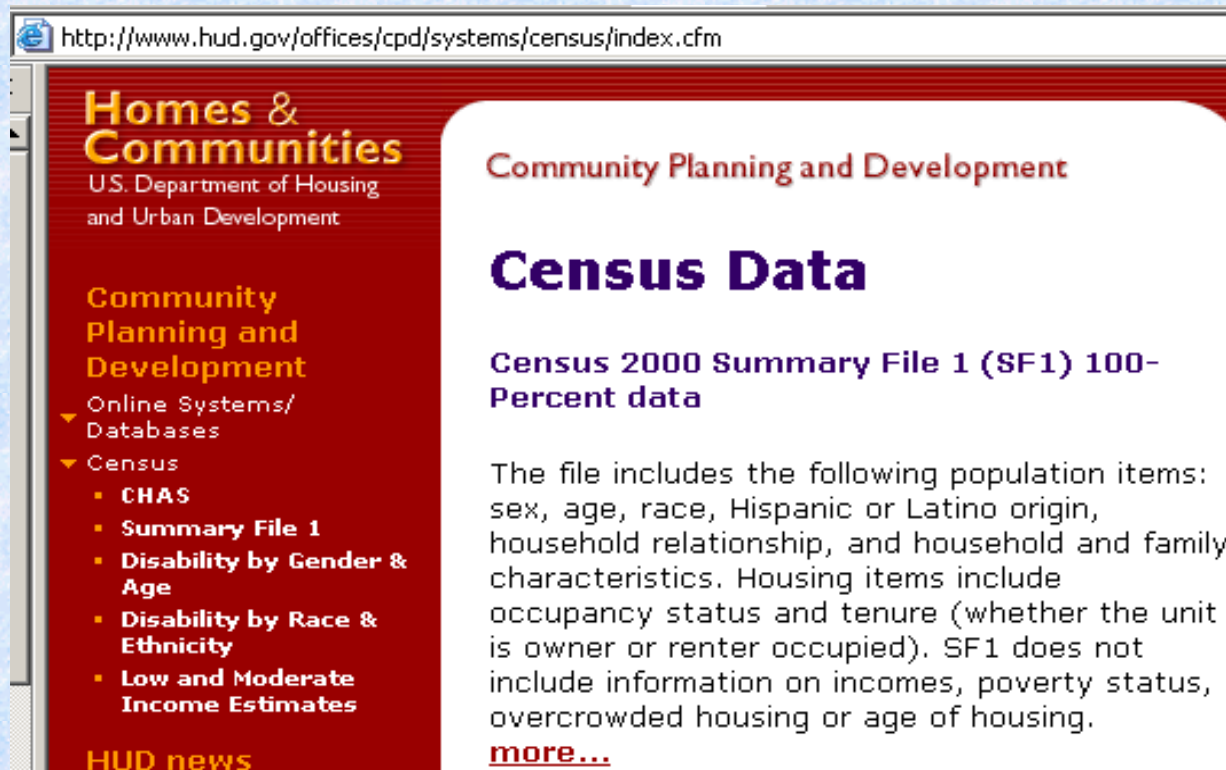
Find the corresponding LOGRECNO on SHEET 2 of the Parish Spreadsheet

| RAPIDES Parish | | | | | | | | | | | |
|--------------------------|----------|-----------|--------------------|--------|----------|-------|------|------|-----|--|----------|
| RED 80 - 100% LM | | | | | | | | | | | |
| BLUE 51- 80% LM | | | | | | | | | | | |
| BLACK less than 51.0% | | | | | | | | | | | |
| GREY Uninhabited/ No LM% | | | | | | | | | | | |
| | | | | | N | | | | | | V |
| HUD Cel | LOGRECNO | PLACENAME | TRACT | BLKGRP | POP100 | HU100 | PMOD | PLOW | | | |
| 3422 | 6145 | LA0017052 | | 010100 | 1 | 0 | 0 | 0 | 0 | | |
| 3423 | 6208 | LA0017182 | | 010100 | 1 | 1796 | 677 | 475 | 318 | | |
| 3424 | 6200 | LA0017163 | Rap Pineville city | 010100 | 2 | 0 | 0 | 0 | 0 | | |
| 3425 | 6201 | LA0017165 | Rap Pineville city | 010100 | 2 | 213 | 82 | 0 | 0 | | |
| 3426 | 6209 | LA0017183 | Rapides Parish | 010100 | 2 | 1178 | 439 | 191 | 36 | | |
| 3427 | 6214 | LA0017189 | Rapides Parish | 010100 | 2 | 267 | 94 | 25 | 8 | | |
| 3428 | 6210 | LA0017184 | | 010100 | 3 | 1308 | 487 | 510 | 253 | | |
| 3429 | 6197 | LA0017157 | Deville CDP | 010100 | 4 | 453 | 172 | 296 | 135 | | |
| 3430 | 6211 | LA0017185 | | 010100 | 4 | 556 | 220 | 134 | 56 | | |
| 3431 | 6198 | LA0017158 | Deville CDP | 010100 | 5 | 479 | 188 | 192 | 143 | | |

**In addition to the Data from the HUD
Census Low Moderate Income site**

In addition to the Data from the HUD Census Low Moderate Income site

SHEET 2 of the Parish Spreadsheet contains data from the HUD Census SF 1 Site



The screenshot shows a web browser window with the URL <http://www.hud.gov/offices/cpd/systems/census/index.cfm>. The page has a dark red header and sidebar. The main content area is white with rounded corners. The sidebar contains the HUD logo and navigation links. The main content area features the title 'Community Planning and Development' and 'Census Data'. Below this, it lists 'Census 2000 Summary File 1 (SF1) 100-Percent data' and provides a detailed description of the data included in the file, such as sex, age, race, and household characteristics. A link for 'more...' is provided at the bottom of the text.

Homes & Communities
U.S. Department of Housing
and Urban Development

Community Planning and Development

- Online Systems/
Databases
- Census
 - CHAS
 - Summary File 1
 - Disability by Gender & Age
 - Disability by Race & Ethnicity
 - Low and Moderate Income Estimates

HUD news

Community Planning and Development

Census Data

Census 2000 Summary File 1 (SF1) 100-Percent data

The file includes the following population items: sex, age, race, Hispanic or Latino origin, household relationship, and household and family characteristics. Housing items include occupancy status and tenure (whether the unit is owner or renter occupied). SF1 does not include information on incomes, poverty status, overcrowded housing or age of housing.

[more...](#)

Find the corresponding LOGRECO on SHEET 2 of the Parish Spreadsheet

| RAPIDES Parish | | | | | | | | | | |
|--------------------------|-----------|-------------------|--------|--------|----------|-------|------|------|--|----------|
| RED 80 - 100% LM | | | | | | | | | | |
| BLUE 51- 80% LM | | | | | | | | | | |
| BLACK less than 51.0% | | | | | | | | | | |
| GREY Uninhabited/ No LM% | | | | | | | | | | |
| | | | | | N | | | | | V |
| HUD Cel | LOGRECNO | PLACENAME | TRACT | BLKGRP | POP100 | HU100 | PMOD | PLOW | | |
| 3422 6145 | LA0017052 | | 010100 | 1 | 0 | 0 | 0 | 0 | | |
| 3423 6208 | LA0017182 | | 010100 | 1 | 1796 | 677 | 475 | 318 | | |
| 3424 6200 | LA0017163 | ap Pineville city | 010100 | 2 | 0 | 0 | 0 | 0 | | |
| 3425 6201 | LA0017165 | ap Pineville city | 010100 | 2 | 213 | 82 | 0 | 0 | | |
| 3426 6209 | LA0017183 | apides Parish | 010100 | 2 | 1178 | 439 | 191 | 36 | | |
| 3427 6214 | LA0017189 | apides Parish | 010100 | 2 | 267 | 94 | 25 | 8 | | |
| 3428 6210 | LA0017184 | | 010100 | 3 | 1308 | 487 | 510 | 253 | | |
| 3429 6197 | LA0017157 | Deville CDP | 010100 | 4 | 453 | 172 | 296 | 135 | | |
| 3430 6211 | LA0017185 | | 010100 | 4 | 556 | 220 | 134 | 56 | | |
| 3431 6198 | LA0017158 | Deville CDP | 010100 | 5 | 479 | 188 | 192 | 143 | | |

LOGRECNO: LA0017472

Find the corresponding LOGRECO on SHEET 2 of the Parish Spreadsheet

| | HUD Cel | LOGRECNO | PLACENAME | TRACT | BLKGRP | POP100 | HU100 | PMOD | PLOW |
|------|---------|-----------|---------------------|--------|--------|--------|-------|------|------|
| 3591 | 6258 | LA0017351 | | 013500 | 1 | 33 | 14 | 7 | 6 |
| 3592 | 6275 | LA0017465 | Forest Hill village | 013500 | 1 | 441 | 174 | 163 | 106 |
| 3593 | 6299 | LA0017512 | | 013500 | 1 | 1390 | 556 | 449 | 249 |
| 3594 | 6276 | LA0017466 | Forest Hill village | 013500 | 2 | 0 | 0 | 0 | 0 |
| 3595 | 6278 | LA0017471 | Glenmora town | 013500 | 2 | 31 | 23 | 23 | 17 |
| 3596 | 6285 | LA0017484 | McNary village | 013500 | 2 | 16 | 6 | 7 | 0 |
| 3597 | 6300 | LA0017513 | | 013500 | 2 | 1141 | 484 | 454 | 299 |
| 3598 | 6279 | LA0017472 | Glenmora town | 013500 | 3 | 822 | 353 | 554 | 389 |
| 3599 | 6286 | LA0017485 | McNary village | 013500 | 3 | 7 | 2 | 0 | 0 |
| 3600 | 6301 | LA0017514 | | 013500 | 3 | 83 | 35 | 55 | 48 |
| 3601 | 6280 | LA0017473 | Glenmora town | 013500 | 4 | 640 | 292 | 270 | 154 |
| 3602 | 6287 | LA0017486 | McNary village | 013500 | 4 | 3 | 1 | 0 | 0 |
| 3603 | 6302 | LA0017515 | | 013500 | 4 | 18 | 6 | 5 | 5 |

LOGRECNO: LA0017472

Find the corresponding LOGRECO on SHEET 2 of the Parish Spreadsheet

| | HUD Cel | LOGRECNO | PLACENAME | TRACT | BLKGRP | POP100 | HU100 | PMOD | PLOW |
|------|---------|-----------|---------------------|--------|--------|--------|-------|------|------|
| 3591 | 6258 | LA0017351 | | 013500 | 1 | 33 | 14 | 7 | 6 |
| 3592 | 6275 | LA0017465 | Forest Hill village | 013500 | 1 | 441 | 174 | 163 | 106 |
| 3593 | 6299 | LA0017512 | | 013500 | 1 | 1390 | 556 | 449 | 249 |
| 3594 | 6276 | LA0017466 | Forest Hill village | 013500 | 2 | 0 | 0 | 0 | 0 |
| 3595 | 6278 | LA0017471 | Glenmora town | 013500 | 2 | 31 | 23 | 23 | 17 |
| 3596 | 6285 | LA0017484 | McNary village | 013500 | 2 | 16 | 6 | 7 | 0 |
| 3597 | 6299 | LA0017512 | | 013500 | 2 | 1141 | 484 | 454 | 299 |
| 3598 | 6279 | LA0017472 | Glenmora town | 013500 | 3 | 822 | 353 | 554 | 389 |
| 3599 | 6286 | LA0017485 | McNary village | 013500 | 3 | 7 | 2 | 0 | 0 |
| 3600 | 6301 | LA0017514 | | 013500 | 3 | 83 | 35 | 55 | 48 |
| 3601 | 6280 | LA0017473 | Glenmora town | 013500 | 4 | 640 | 292 | 270 | 154 |
| 3602 | 6287 | LA0017486 | McNary village | 013500 | 4 | 3 | 1 | 0 | 0 |
| 3603 | 6302 | LA0017515 | | 013500 | 4 | 18 | 6 | 5 | 5 |

LOGRECNO: LA0017472

Next

Open ACTIVITY BENEFICIARY FORM SPREADSHEET

SHEET 1 of the Activity Beneficiary Form

| | | 0 | 0 |
|---|--|--------------------|---------------------------|
| | | 0 | 0 |
| LCDBG Activity Beneficiary Form | | | |
| <i>List name of each activity excluding Admin & Acquisition</i> ¹⁾ | | | |
| | | # | % |
| Families (total): | | 0 | |
| Elderly Head of Family | | 0 | |
| Female Head of Family | | 0 | |
| not available | Handicapped Head of Family | | |
| Persons (total): | | 0 | |
| Total Mod/Low/ExLow Income | | 0 | #DIV/0! |
| Moderate Income: | | 0 | #DIV/0! |
| Owner (for Rehab activity <u>only</u>): | | | |
| Renter (for Rehab activity <u>only</u>): | | | |
| Low Income: | | 0 | #DIV/0! |
| Owner (for Rehab activity <u>only</u>): | | | |
| Renter (for Rehab activity <u>only</u>): | | | |
| Extremely Low Income: | | 0 | #DIV/0! |
| Owner (for Rehab activity <u>only</u>): | | | |
| Renter (for Rehab activity <u>only</u>): | | | |
| not available | Elderly: | | |
| | Handicapped: | 0 | |
| Race and Ethnicity | | Race Total# | Of Total# Hispanic |
| American Indian or Alaskan Native: | | #DIV/0! | #DIV/0! |
| Asian: | | #DIV/0! | #DIV/0! |
| Black or African American: | | #DIV/0! | #DIV/0! |
| Native Hawaiian or Other Pacific Islander: | | #DIV/0! | #DIV/0! |
| White: | | #DIV/0! | #DIV/0! |
| Category on SF1 | [not on IDIS] Some Other Race | #DIV/0! | #DIV/0! |
| not available | Am. Indian or Alaskan Native <i>and</i> White: | | |
| not available | Asian <i>and</i> White: | | |
| not available | Black or African American <i>and</i> White: | | |
| not available | Am. Indian or Alaskan Native <i>and</i> Black: | | |
| Category on SF1 | Other Multi racial /Two or More Races | #DIV/0! | #DIV/0! |

Return to SHEET 2 of the Parish Spreadsheet

| | HUD Cel | LOGRECNO | PLACENAME | TRACT | BLKGRP | POP100 | HU100 | PMOD | PLOW |
|-----------------|-----------------|----------------------|---------------------------|-------------------|--------------|-----------------|----------------|----------------|----------------|
| 3591 | 6258 | LA0017351 | | 013500 | 1 | 33 | 14 | 7 | 6 |
| 3592 | 6275 | LA0017465 | Forest Hill village | 013500 | 1 | 441 | 174 | 163 | 106 |
| 3593 | 6299 | LA0017512 | | 013500 | 1 | 1390 | 556 | 449 | 249 |
| 3594 | 6276 | LA0017466 | Forest Hill village | 013500 | 2 | 0 | 0 | 0 | 0 |
| 3595 | 6278 | LA0017471 | Glenmora town | 013500 | 2 | 31 | 23 | 23 | 17 |
| 3596 | 6285 | LA0017484 | McNary village | 013500 | 2 | 16 | 6 | 7 | 0 |
| 3597 | 6299 | LA0017512 | | 013500 | 2 | 1141 | 484 | 454 | 299 |
| 3598 | 6279 | LA0017472 | Glenmora town | 013500 | 3 | 822 | 353 | 554 | 389 |
| 3599 | 6286 | LA0017485 | McNary village | 013500 | 3 | 7 | 2 | 0 | 0 |
| 3600 | 6301 | LA0017514 | | 013500 | 3 | 83 | 35 | 55 | 48 |
| 3601 | 6280 | LA0017473 | Glenmora town | 013500 | 4 | 640 | 292 | 270 | 154 |
| 3602 | 6287 | LA0017486 | McNary village | 013500 | 4 | 3 | 1 | 0 | 0 |
| 3603 | 6302 | LA0017515 | | 013500 | 4 | 18 | 6 | 5 | 5 |

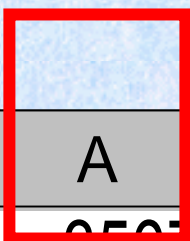
SHEET 2 of the Parish Spreadsheet

Find the Row for the LOGRECNO

| | | | | | | | | |
|-----------------|-----------------|----------------------|---------------------------|-------------------|--------------|--|-----------------|----------------|
| 3596 | 6285 | LA0017484 | McNary village | 013500 | 2 | | 16 | 6 |
| 3597 | 6300 | LA0017513 | | 013500 | 2 | | 1141 | 484 |
| 3598 | 6279 | LA0017472 | Glenmora town | 013500 | 3 | | 822 | 353 |
| 3599 | 6286 | LA0017485 | McNary village | 013500 | 3 | | 7 | 2 |
| 3600 | 6301 | LA0017514 | | 013500 | 3 | | 83 | 35 |
| 3601 | 6280 | LA0017473 | Glenmora town | 013500 | 4 | | 640 | 292 |

SHEET 2 of the Parish Spreadsheet

Start with Column A for the Row to be copied



| | A | B | C |
|------------|------|------|-----------|
| 207 | 3597 | 6300 | LA0017513 |
| 208 | 3598 | 6279 | LA0017472 |
| 209 | 3599 | 6286 | LA0017485 |
| | | | |

SHEET 2 of the Parish Spreadsheet

Start with Column A for the Row to be copied

| | A | B | C |
|-----|------|------|-----------|
| 207 | 3597 | 6300 | LA0017513 |
| 208 | 3598 | 6279 | LA0017472 |
| 209 | 3599 | 6286 | LA0017485 |
| | | | |

SHEET 2 of the Parish Spreadsheet

Copy the Row from Column A

| | A | B | C |
|------------|------|------|-----------|
| 207 | 3597 | 6300 | LA0017513 |
| 208 | 3598 | 6279 | LA0017472 |
| 209 | 3599 | 6286 | LA0017485 |
| | | | |



SHEET 2 of the Parish Spreadsheet



Copy the Row to Column CU

| | CS | CT | CU |
|-----|-----|-------|---------|
| 207 | 217 | | 216.948 |
| 208 | 204 | 0.248 | 203.653 |
| 209 | 2 | | 1.59242 |



Last Column

Return to Activity Beneficiary Form



| | A | B | C |
|----|---|----------|----------|
| 52 |  | | |
| 53 | | | |
| 54 | | HUD Cell | LOGRECNO |
| 55 | | | |
| 56 | | | |
| 57 | | | |
| 58 |  Enter Here | | |

Place Cursor in Cell in Column A

| | A | B | C |
|----|---|----------|----------|
| 52 | | | |
| 53 | | | |
| 54 | | HUD Cell | LOGRECNO |
| 55 | | | |
| 56 | | | |
| 57 | | | |
| 58 | | | |

A blue arrow points down from the header 'A' to the cell in row 52, column A. A red arrow points from the top right towards the cell in row 56, column A. A blue arrow points up from the text 'Enter Here' to the cell in row 56, column A.

And Paste

| | A | B | C |
|-----------|---|----------|-----------|
| 52 |  | | |
| 53 | | | |
| 54 | | HUD Cell | LOGRECNO |
| 55 | | | |
| 56 | 3598 | 6279 | LA0017472 |
| 57 | | | |
| 58 |  Enter Here | | |

The Activity Beneficiary Form is Completed

SHEET 1 ABF

| | | | |
|---|---|--------------------|--------------------------------------|
| LA0017472 | | 013500 | 3 |
| Rapides Parish | Glenmora town | | |
| LCDBG Activity Beneficiary Form | | | |
| <i>List name of each activity excluding Admin & Acquisition</i> | | | |
| 1) | | | |
| | | # | % |
| Families (total): | | 303 | |
| Elderly Head of Family | | 66 | |
| Female Head of Family | | 124 | |
| not available | Handicapped Head of Family | | |
| Persons (total): | | 854 | |
| Total Mod/Low/ExLow Income | | 554 | 64.9 |
| Moderate Income: | | 165 | 19.3 |
| Owner (for Rehab activity only): | | | |
| Renter (for Rehab activity only): | | | |
| Low Income: | | 152 | 17.8 |
| Owner (for Rehab activity only): | | | |
| Renter (for Rehab activity only): | | | |
| Extremely Low Income: | | 237 | 27.8 |
| Owner (for Rehab activity only): | | | |
| Renter (for Rehab activity only): | | | |
| not available | Elderly: | | |
| | Handicapped: | 204 | |
| Race and Ethnicity | | Race Total# | Of Total#, Indicate# Hispanic |
| American Indian or Alaskan Native: | | 16 | 0 |
| Asian: | | 1 | 0 |
| Black or African American: | | 485 | 1 |
| Native Hawaiian or Other Pacific Islander: | | 0 | 0 |
| White: | | 331 | 3 |
| Category on SF1 | [not on IDIS] Some Other Race | 0 | 12 |
| not available | Am. Indian or Alaskan Native and White: | | |
| not available | Asian and White: | | |
| not available | Black or African American and White: | | |
| not available | Am. Indian or Alaskan Native and Black: | | |
| Category on SF1 | Other Multi racial /Two or More Races | 4 | 12 |
| | | 854 | 17 |

The
Activity
Beneficiary
Form is
Completed

| | | | |
|---|----------------------------|----------|----------|
| LA0017472 | | 013500 | 3 |
| Rapides Parish | Glenmora town | | |
| LCDBG Activity Beneficiary Form | | | |
| <i>List name of each activity excluding Admin & Acquisition</i> | | 1) | |
| | | # | % |
| | Families (total): | 303 | |
| | Elderly Head of Family | 66 | |
| | Female Head of Family | 124 | |
| not available | Handicapped Head of Family | | |
| | | | |

Family and Household Data

The
Activity
Beneficiary
Form is
Completed

| | | |
|---|-----|------|
| | | |
| | | |
| Persons (total): | 854 | |
| Total Mod/Low/ExLow Income | 554 | 64.9 |
| Moderate Income: | 165 | 19.3 |
| Owner (for Rehab activity <u>only</u>): | | |
| Renter (for Rehab activity <u>only</u>): | | |
| Low Income: | 152 | 17.8 |
| Owner (for Rehab activity <u>only</u>): | | |
| Renter (for Rehab activity <u>only</u>): | | |
| Extremely Low Income: | 237 | 27.8 |
| Owner (for Rehab activity <u>only</u>): | | |
| Renter (for Rehab activity <u>only</u>): | | |
| | | |

Low Mod Data

The Activity Beneficiary Form is Completed

| Race and Ethnicity | | Race Total# | Of Total#, Indicate# Hispanic |
|--------------------|--|-------------|-------------------------------|
| not available | Elderly: | | |
| | Handicapped: | 204 | |
| | American Indian or Alaskan Native: | 16 | 0 |
| | Asian: | 1 | 0 |
| | Black or African American: | 485 | 1 |
| | Native Hawaiian or Other Pacific Islander: | 0 | 0 |
| | White: | 331 | 3 |
| Category on SF1 | [not on IDIS] Some Other Race | 0 | 12 |
| not available | Am. Indian or Alaskan Native <i>and</i> White: | | |
| not available | Asian <i>and</i> White: | | |
| not available | Black or African American <i>and</i> White: | | |
| not available | Am. Indian or Alaskan Native <i>and</i> Black: | | |
| Category on SF1 | Other Multi racial /Two or More Races | 4 | 12 |

Race, Ethnic, Handicapped Data

The End
of completing the SHEET 1
LOGRECNO
Activity Beneficiary Form

**How to
complete the SHEET 2
LOGRECNO
Activity Beneficiary Form**

| B | C | D | E | F | G | H | I | J | K | L | M | N |
|----------|-----------|----|----------------|--------|--------|---|--------|-------|---|------|------|-------|
| HUD Cell | LOGRECNO | | PLACENAME | TRACT | BLKGRP | | POP100 | HU100 | | PMOD | PLOW | PVLOW |
| 6127 | LA0017010 | Ra | Ball town | 010200 | 1 | | 428 | 185 | | 118 | 59 | 41 |
| 6129 | LA0017013 | Ra | Ball town | 010200 | 1 | | 990 | 415 | | 308 | 181 | 70 |
| 6146 | LA0017055 | | | 010200 | 1 | | 0 | 0 | | 0 | 0 | 0 |
| 6147 | LA0017056 | | | 010200 | 2 | | 710 | 300 | | 325 | 179 | 88 |
| 6215 | LA0017192 | | | 010200 | 2 | | 22 | 8 | | 0 | 0 | 0 |
| 6128 | LA0017011 | | Ball town | 010200 | 3 | | 41 | 16 | | 0 | 0 | 0 |
| 6130 | LA0017014 | | Ball town | 010200 | 3 | | 281 | 106 | | 90 | 72 | 34 |
| 6136 | LA0017030 | | Pineville city | 010200 | 3 | | 82 | 20 | | 25 | 25 | 25 |
| 6137 | LA0017032 | | Pineville city | 010200 | 3 | | 533 | 46 | | 36 | 0 | 0 |
| 6148 | LA0017057 | | Rapides Parish | 010200 | 3 | | 624 | 248 | | 87 | 71 | 41 |
| 6149 | LA0017059 | | Rapides Parish | 010200 | 3 | | 372 | 150 | | 228 | 97 | 12 |
| 6131 | LA0017017 | Ra | Ball town | 010300 | 1 | | 251 | 86 | | 87 | 3 | 0 |
| 6132 | LA0017019 | Ra | Ball town | 010300 | 1 | | 1690 | 716 | | 784 | 438 | 209 |
| 6150 | LA0017062 | | Rapides Parish | 010300 | 2 | | 72 | 30 | | 54 | 30 | 24 |
| 6152 | LA0017065 | | Rapides Parish | 010300 | 2 | | 1306 | 527 | | 645 | 378 | 193 |

On SHEET 2 of the Parish Spreadsheet you will often see two LOGRECNO's together shaded in blue or green

| B | C | D | E | F | G | H | I | J | K | L | M | N |
|----------|-----------|----|----------------|--------|--------|---|--------|-------|---|------|------|-------|
| HUD Cell | LOGRECNO | | PLACENAME | TRACT | BLKGRP | | POP100 | HU100 | | PMOD | PLOW | PVLOW |
| 6127 | LA0017010 | Ra | Ball town | 010200 | 1 | | 428 | 185 | | 118 | 59 | 41 |
| 6129 | LA0017013 | Ra | Ball town | 010200 | 1 | | 990 | 415 | | 308 | 181 | 70 |
| 6146 | LA0017055 | | | 010200 | 1 | | 0 | 0 | | 0 | 0 | 0 |
| 6147 | LA0017056 | | | 010200 | 2 | | 710 | 300 | | 325 | 179 | 88 |
| 6215 | LA0017192 | | | 010200 | 2 | | 22 | 8 | | 0 | 0 | 0 |
| 6128 | LA0017011 | | Ball town | 010200 | 3 | | 41 | 16 | | 0 | 0 | 0 |
| 6130 | LA0017014 | | Ball town | 010200 | 3 | | 281 | 106 | | 90 | 72 | 34 |
| 6136 | LA0017030 | | Pineville city | 010200 | 3 | | 82 | 20 | | 25 | 25 | 25 |
| 6137 | LA0017032 | | Pineville city | 010200 | 3 | | 533 | 46 | | 36 | 0 | 0 |
| 6148 | LA0017057 | | Rapides Parish | 010200 | 3 | | 624 | 248 | | 87 | 71 | 41 |
| 6149 | LA0017059 | | Rapides Parish | 010200 | 3 | | 372 | 150 | | 228 | 97 | 12 |
| 6131 | LA0017017 | Ra | Ball town | 010300 | 1 | | 251 | 86 | | 87 | 3 | 0 |
| 6132 | LA0017019 | Ra | Ball town | 010300 | 1 | | 1690 | 716 | | 784 | 438 | 209 |
| 6150 | LA0017062 | | Rapides Parish | 010300 | 2 | | 72 | 30 | | 54 | 30 | 24 |
| 6152 | LA0017065 | | Rapides Parish | 010300 | 2 | | 1306 | 527 | | 645 | 378 | 193 |

The reason for the shading is the data on the SHEET 2 is from different sources.

This side of the spreadsheet is...

This side of the spreadsheet is...

| | W | X | Y | Z | AA | AB | AC | AD | AE | AF | AG | AH | AI | AJ | AK | AL |
|----|-----------|--------|--------|---|--------|----|-------|-------|--------|----|----------------|-----------|---------|------------|------------|------------|
| 5 | | | | | | | | | | | | | | Population | Population | Population |
| 6 | | | | | | | | | | | | | | Tot | NonHISP | WH |
| 7 | | | | | | | | TRACT | BLKGRP | | | PLACENAME | P008001 | P008002 | P008003 | |
| 8 | | TRACT | BLKGRP | | POP100 | | | | | | | | | | | |
| 9 | LA0017052 | 010100 | 1 | | 0 | | 10100 | 1 | | | | | 0 | 0 | 0 | |
| 10 | LA0017182 | 010100 | 1 | | 1796 | | 10100 | 1 | | | | | 1796 | 1784 | 1748 | |
| 11 | LA0017163 | 010100 | 2 | | 0 | | 10100 | 2 | | | Pineville city | | 213 | 212 | 188 | |
| 12 | LA0017165 | 010100 | 2 | | 213 | | | | | | | | | | | |
| 13 | LA0017183 | 010100 | 2 | | 1178 | | 10100 | 2 | | | Rapides Pari | | 1445 | 1426 | 1304 | |
| 14 | LA0017189 | 010100 | 2 | | 267 | | | | | | | | | | | |
| 15 | LA0017184 | 010100 | 3 | | 1308 | | 10100 | 3 | | | | | 1308 | 1303 | 1268 | |
| 16 | LA0017157 | 010100 | 4 | | 453 | | 10100 | 4 | | | Deville CDP | | 453 | 452 | 437 | |
| 17 | LA0017185 | 010100 | 4 | | 556 | | 10100 | 4 | | | | | 556 | 555 | 548 | |
| 18 | LA0017158 | 010100 | 5 | | 479 | | 10100 | 5 | | | Deville CDP | | 479 | 479 | 472 | |
| 19 | LA0017186 | 010100 | 5 | | 452 | | 10100 | 5 | | | | | 452 | 447 | 432 | |

HUD LOW
MOD Data

HUD SF 1
Census Data

HUD LM Data

HUD SF 1 Census Data

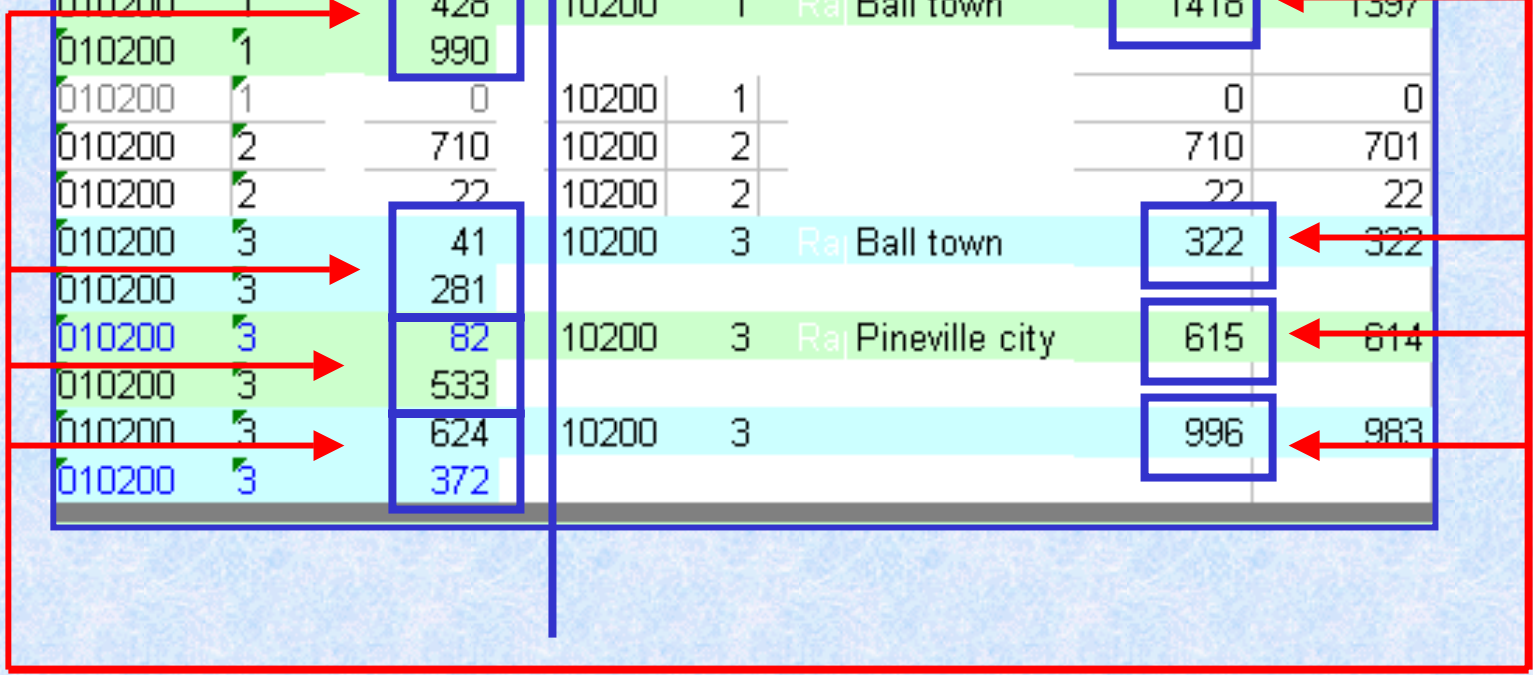
| X | Y | Z | AA | AIAC | AD | AE | AFA | AH | AJ | Population | Pop |
|--------|--------|---|--------|------|-------|--------|-----|----------------|---------|------------|-----|
| | | | | | | | | | | Tot | No |
| | | | | | TRACT | BLKGRP | | PLACENAME | P008001 | | P0 |
| TRACT | BLKGRP | | POP100 | | | | | | | | |
| 010100 | 1 | | 0 | | 10100 | 1 | | | | 0 | |
| 010100 | 1 | | 1796 | | 10100 | 1 | | | | 1796 | |
| 010100 | 2 | | 0 | | 10100 | 2 | | Pineville city | | 213 | |
| 010100 | 2 | | 213 | | | | | | | | |
| 010100 | 2 | | 1178 | | 10100 | 2 | | Rapides Par | | 1445 | |
| 010100 | 2 | | 267 | | | | | | | | |
| 010100 | 3 | | 1308 | | 10100 | 3 | | | | 1308 | |
| 010100 | 4 | | 453 | | 10100 | 4 | | Deville CDP | | 453 | |
| 010100 | 4 | | 556 | | 10100 | 4 | | | | 556 | |
| 010100 | 5 | | 479 | | 10100 | 5 | | Deville CDP | | 479 | |
| 010100 | 5 | | 152 | | 10100 | 5 | | | | 152 | |

Many of the LOGRECNOs with individual LOW MOD data are combined for the SF 1 Census Data

HUD LM Data

HUD SF 1 Census Data

| TRACT | BLKGRP | POP100 | TRACT | BLKGRP | PLACENAME | Population Tot P008001 | Population NonHISP P008002 |
|--------|--------|--------|-------|--------|--------------------|------------------------|----------------------------|
| 010200 | 1 | 428 | 10200 | 1 | Raj Ball town | 1418 | 1397 |
| 010200 | 1 | 990 | | | | | |
| 010200 | 1 | 0 | 10200 | 1 | | 0 | 0 |
| 010200 | 2 | 710 | 10200 | 2 | | 710 | 701 |
| 010200 | 2 | 22 | 10200 | 2 | | 22 | 22 |
| 010200 | 3 | 41 | 10200 | 3 | Raj Ball town | 322 | 322 |
| 010200 | 3 | 281 | | | | | |
| 010200 | 3 | 82 | 10200 | 3 | Raj Pineville city | 615 | 614 |
| 010200 | 3 | 533 | | | | | |
| 010200 | 3 | 624 | 10200 | 3 | | 996 | 983 |
| 010200 | 3 | 372 | | | | | |



| | | Population | Population |
|---------------|-----|------------|--------------------------|
| | | Tot | NonHISP |
| POP100 | | P008001 | P008002 |
| | 428 | 1418 | |
| | 990 | | |
| Two LOGRECNOs | | Equals = | One set of combined data |
| | 41 | 322 | |
| | 281 | | |
| | 82 | 615 | |
| | 533 | | |
| | 624 | 996 | |
| | 372 | | |

The Ethnic, Household/Family and Handicapped data are combined for the shaded LOGRECNOs

**In order to calculate the
Ethnic/Household/Family/
Handicapped Data**

**In order to calculate the
Ethnic/Household/Family/
Handicapped Data**

**It will be necessary to pro-rate
SF 1 Census Data for the
Combined (Shaded LOGRECNOs)**

| | A | B | C | D | E | F | G | H | I | J | K | L |
|----|------|-----------------|-----------------|-----|------------------|--------------|---------------|---|---------------|--------------|---|-------------|
| 25 | | | | | | | | | | | | |
| 26 | | HUD Cell | LOGRECNO | | PLACENAME | TRACT | BLKGRP | | POP100 | HU100 | | PMOD |
| 27 | 3435 | 6127 | LA0017010 | Rap | Ball town | 010200 | 1 | | 428 | 185 | | 118 |
| 28 | 3436 | 6129 | LA0017013 | Rap | Ball town | 010200 | 1 | | 990 | 415 | | 308 |
| 29 | 3437 | 6146 | LA0017055 | | | 010200 | 1 | | 0 | 0 | | 0 |
| 30 | 3438 | 6147 | LA0017056 | | | 010200 | 2 | | 710 | 300 | | 325 |
| 31 | 3439 | 6215 | LA0017192 | | | 010200 | 2 | | 22 | 8 | | 0 |
| 32 | 3440 | 6128 | LA0017011 | | Ball town | 010200 | 3 | | 41 | 16 | | 0 |
| 33 | 3441 | 6130 | LA0017014 | | Ball town | 010200 | 3 | | 281 | 106 | | 90 |
| 34 | 3442 | 6136 | LA0017030 | | Pineville city | 010200 | 3 | | 82 | 20 | | 25 |
| 35 | 3443 | 6137 | LA0017032 | | Pineville city | 010200 | 3 | | 533 | 46 | | 36 |
| 36 | 3444 | 6148 | LA0017057 | Rap | es Parish | 010200 | 3 | | 624 | 248 | | 87 |
| 37 | 3445 | 6149 | LA0017059 | Rap | es Parish | 010200 | 3 | | 372 | 150 | | 228 |
| 38 | | | | | | | | | | | | |

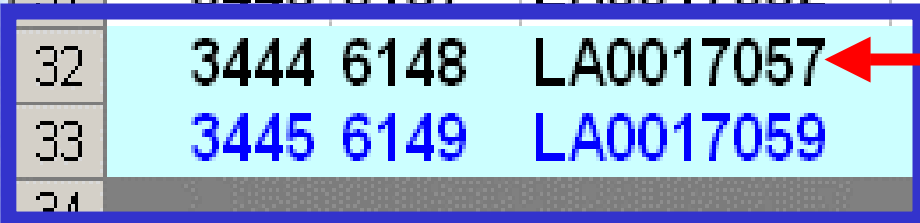
If the LOGRECNO for your Target Area is shaded, it will include SF 1 Census data from a LOGRECNO that is not in your Target Area

| | A | B | C | D | E | F | G |
|----|------|------|-----------|---|----------------|--------|---|
| 28 | 3440 | 6128 | LA0017011 | | Ball town | 010200 | 3 |
| 29 | 3441 | 6130 | LA0017014 | | Ball town | 010200 | 3 |
| 30 | 3442 | 6136 | LA0017030 | | Pineville city | 010200 | 3 |
| 31 | 3443 | 6137 | LA0017032 | | Pineville city | 010200 | 3 |
| 32 | 3444 | 6148 | LA0017057 | | | 010200 | 3 |
| 33 | 3445 | 6149 | LA0017059 | | | 010200 | 3 |
| 34 | | | | | | | |

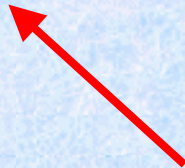
LOGRECNO for
the Target Area

| | A | B | C | D | E | F | G |
|----|------|------|-----------|---|----------------|--------|---|
| 28 | 3440 | 6128 | LA0017044 | | | 010000 | 3 |
| 29 | 3441 | 6130 | LA0017045 | | | 010000 | 3 |
| 30 | 3442 | 6136 | LA0017046 | | | 010000 | 3 |
| 31 | 3443 | 6137 | LA0017032 | | Pineville city | 010200 | 3 |
| 32 | 3444 | 6148 | LA0017057 | | | 010200 | 3 |
| 33 | 3445 | 6149 | LA0017059 | | | 010200 | 3 |
| 34 | | | | | | | |

LOGRECNO not in the Target Area



| | A | B | C | D | E | F | G | H | I | J |
|----|------|------|-----------|---|----------------|--------|---|---|-----|-----|
| 28 | 3440 | 6128 | LA0017011 | | Ball town | 010200 | 3 | | 41 | 16 |
| 29 | 3441 | 6130 | LA0017014 | | Ball town | 010200 | 3 | | 281 | 106 |
| 30 | 3442 | 6136 | LA0017030 | | Pineville city | 010200 | 3 | | 82 | 20 |
| 31 | 3443 | 6137 | LA0017032 | | Pineville city | 010200 | 3 | | 533 | 46 |
| 32 | 3444 | 6148 | LA0017057 | | Rapides Parish | 010200 | 3 | | 624 | 248 |
| 33 | 3445 | 6149 | LA0017059 | | Rapides Parish | 010200 | 3 | | 372 | 150 |



**You must Copy both
ROWS, then...**

**From SHEET 2 of the Parish
Spreadsheet**

Start

| LOGRECNO | Parish: | Census Tract | Block Group |
|--|---------|--------------|-------------|
| 0 | 0 | 0 | 0 |
| Community: | | 0 | |
| LCDBG Activity Beneficiary Form | | | |
| <i>List name of each activity</i> 1) | | | |
| Families (total): | | #DIV/0! | |
| Elderly Head of Family | | #DIV/0! | |
| Female Head of Family | | #DIV/0! | |
| not available | | | |
| Handicapped Head of Family | | | |
| Persons (total): | | 0 | |
| Total Mod/Low/ExLow Income | | 0 | #DIV/0! |
| Moderate Income: | | 0 | #DIV/0! |
| Owner (FOR KENAP activity ONLY): | | | |
| Renter (FOR KENAP activity ONLY): | | | |

Sheet1 | **Sheet2** | Sheet3

...Go to SHEET 2 of the Activity Beneficiary Form

| | | | |
|----|--------------------------|-------------------|-----------------|
| 46 | | | not available |
| 47 | | | not available |
| 48 | | | Category on SF1 |
| 49 | | | |
| 50 | | | |
| 51 | | | |
| 52 | | | |
| 53 | | | |
| 54 | | HUD Cell LOGRECNO | COUNTYNAME |
| 55 | | | |
| 56 | | | |
| 57 | | | |
| 58 | | | |
| 59 | Enter Combined LOGRECNOs | | |
| 60 | | | |
| 61 | | | |
| 62 | | | |
| 63 | | | |
| 64 | | | |
| 65 | Enter Desired LOGRECNO | | |

...Go to SHEET 2 of the Activity Beneficiary Form

| | | | | | |
|----|--------------------------|---------|-----------|----------------|-------|
| 53 | | | | | |
| 54 | | HUD Cel | LOGRECNO | COUNTYNAME | PLACE |
| 55 | | | | | |
| 56 | 3444 | 6148 | LA0017057 | Rapides Parish | |
| 57 | 3445 | 6149 | LA0017059 | Rapides Parish | |
| 58 | | | | | |
| 59 | Enter Combined LOGRECNOs | | | | |
| 60 | | | | | |
| 61 | | | | | |
| 62 | | | | | |
| 63 | | | | | |
| 64 | | | | | |
| 65 | Enter Desired LOGRECNO | | | | |
| 66 | | | | | |

And PASTE Both Rows

To SHEET 2 of the ABF

| | | | | |
|----|--------------------------|---------|-----------|----------------|
| 54 | | HUD Cel | LOGRECNO | COUNTYNAME |
| 55 | | | | |
| 56 | 3444 | 6148 | LA0017057 | Rapides Parish |
| 57 | 3445 | 6149 | LA0017059 | Rapides Parish |
| 58 | | | | |
| 59 | Enter Combined LOGRECNOs | | | |
| 60 | | | | |
| 61 | | | | |
| 62 | | | | |
| 63 | | | | |
| 64 | | | | |
| 65 | Enter Desired LOGRECNO | | | |
| 66 | | | | |

**Then COPY the LOGRECNO
for the Target Area**

| | | | | |
|----|--------------------------|---------|-----------|----------------|
| 54 | | HUD Cel | LOGRECNO | COUNTYNAME |
| 55 | | | | |
| 56 | 3444 | 6148 | LA0017057 | Rapides Parish |
| 57 | 3445 | 6149 | LA0017059 | Rapides Parish |
| 58 | | | | |
| 59 | Enter Combined LOGRECNOs | | | |
| 60 | | | | |
| 61 | | | | |
| 62 | 3445 | 6149 | LA0017059 | Rapides Parish |
| 63 | | | | |
| 64 | | | | |
| 65 | Enter Desired LOGRECNO | | | |
| 66 | | | | |

...and Paste into second LOGRECNO ROW

The Beneficiary Form is filled in

SHEET 2 ABF

Start

| LOGRECNO | Parish: | Census Tract | Block Group | | |
|--|-------------------------------------|---------------|------------------|--------|--------|
| LA0017059 | 'Rapides Parish | 010200 | 3 | | |
| Community: | | | | | |
| LCDBG Activity Beneficiary | | | | | |
| <i>each activity excluding Admin & Acquisition</i> | | | | | |
| Families (total): | | 161 | | | |
| Elderly Head of Family | | 33 | | | |
| Female Head of Family | | 33 | | | |
| not available | Handicapped Head of Family | | | | |
| Persons (total): | | 413 | | | |
| Total Mod/Low/ExLow Income | | 228 | 55.2 | | |
| Moderate Income: | | 131 | 31.7 | | |
| Owner (for Rehab activity only): | | | | | |
| Renter (for Rehab activity only): | | | | | |
| Low Income: | | 85 | 20.6 | | |
| Owner (for Rehab activity only): | | | | | |
| Renter (for Rehab activity only): | | | | | |
| Extremely Low Income: | | 12 | 2.9 | | |
| Owner (for Rehab activity only): | | | | | |
| Renter (for Rehab activity only): | | | | | |
| not available | Elderly: | | | | |
| | Handicapped: | 78 | | | |
| Race and Ethnicity | | | | | |
| | | Total# | Indicate# | | |
| American Indian or Alaskan Native: | | 4 | 0 | | |
| Asian: | | 2 | 0 | | |
| Black or African American: | | 5 | 0 | | |
| Native Hawaiian or Other Pacific Islander: | | 0 | 0 | | |
| White: | | 395 | 3 | | |
| Category on SF1 | JIS Some Other Race | 0 | 1 | | |
| not available | 1 or Alaskan Native and White: | | | | |
| not available | Asian and White: | | | | |
| not available | r African American and White: | | | | |
| not available | 1 or Alaskan Native and Black: | | | | |
| Category on SF1 | i racial / Two or More Races | 0 | 2 | | |
| HUD Cel | LOGRECNO | COUNTYNAME | PLACENAME | TRACT | BLKGRP |
| 3444 | 6148 | LA0017057 | 'Rapides Parish | 010200 | 3 |
| 3445 | 6149 | LA0017059 | Rapides Parish | 010200 | 3 |
| Enter Combined LOGRECNOs | | | | | |
| 3445 | 6149 | LA0017059 | 'Rapides Parish | 010200 | 3 |
| Enter Desired LOGRECNOs | | | | | |

The Household/
Family,

| LOGRECNO | Parish: | Census Tract | Block Group |
|--|----------------------------|--------------|-------------|
| LA0017059 | 'Rapides Parish | 010200 | 3 |
| Community: | 0 | | |
| LCDBG Activity Beneficiary Form | | | |
| <i>List name of each</i> 1) | | | |
| | | # | % |
| | Families (total): | 161 | |
| | Elderly Head of Family | 33 | |
| | Female Head of Family | 33 | |
| not available | Handicapped Head of Family | | |

Handicapped and

Ethnic Data

will be pro rated
from the 2
LOGRECNOs

| | | | |
|---------------------------|--|--------------------|------------------|
| not available | Elderly: | | |
| | Handicapped: | 78 | |
| Race and Ethnicity | | Race Total# | Indicate# |
| | American Indian or Alaskan Native: | 4 | 0 |
| | Asian: | 2 | 0 |
| | Black or African American: | 5 | 0 |
| | Native Hawaiian or Other Pacific Islander: | 0 | 0 |
| | White: | 395 | 3 |
| Category on SF1 | [not on IDIS] Some Other Race | 0 | 1 |
| not available | Am. Indian or Alaskan Native <i>and</i> White: | | |
| not available | Asian <i>and</i> White: | | |
| not available | Black or African American <i>and</i> White: | | |
| not available | Am. Indian or Alaskan Native <i>and</i> Black: | | |
| Category on SF1 | Other Multi racial /Two or More Races | 0 | 2 |

The LOW
MOD Data

| | | |
|---|-----|------|
| Persons (total): | 413 | |
| Total Mod/Low/ExLow Income | 228 | 55.2 |
| Moderate Income: | 131 | 31.7 |
| Owner (for Rehab activity <u>only</u>): | | |
| Renter (for Rehab activity <u>only</u>): | | |
| Low Income: | 85 | 20.6 |
| Owner (for Rehab activity <u>only</u>): | | |
| Renter (for Rehab activity <u>only</u>): | | |
| Extremely Low Income: | 12 | 2.9 |
| Owner (for Rehab activity <u>only</u>): | | |
| Renter (for Rehab activity <u>only</u>): | | |

is from the
Target Area
LOGRECNO
only

| | | | |
|--|-----------------|---------------------|--------------------|
| LOGRECNO | Parish: | Census Tract | Block Group |
| LA0017059 | 'Rapides Parish | 010200 | 3 |
| <i>Continuity:</i> | 0 | | |
| LCDBG Activity Beneficiary Form | | | |
| <i>List name of each 1)</i> | | | |

**THE END of
Completing the
LOGRECNO
Activity
Beneficiary Form**